

VENTURE

TRAILERS

BOAT & WATERCRAFT TRAILER CATALOG



ALUMINUM

GALVANIZED STEEL

WATERCRAFT

CONTENTS

WHY CHOOSE VENTURE?	1
TRAILER FEATURES	2
ALUMINUM TRAILERS	4
Bunk Trailers	6
Roller Trailers	7
GALVANIZED STEEL TRAILERS	8
Bunk Trailers	10
Roller Trailers	11
WATERCRAFT TRAILERS	12
SKIFF & JON BOAT TRAILERS	14
PONTOON TRAILERS	16
TRITOON TRAILERS	18
TRAILER ACCESSORIES	20
ABOUT VENTURE TRAILERS	22
WARRANTY	24

QUALITY, SERVICE AND SUPPORT THAT GETS YOU OUT ON THE WATER — FASTER

At Venture Trailers, we work to make sure nothing gets between you and getting your boat on the water. We are a one-stop resource for all your boat trailers needs and questions. Value should not compromise the quality of your adventure — that's why we guarantee long-lasting, high-quality boat trailers at prices you can afford.

We care as much about our customers as we do about our trailers and products. Our team members pride themselves on sharing our decades of experience with clients, knowing exactly what you need and how to help. We even offer support to Venture Trailer owners through our robust user resources. Our goal is to ensure our customers feel supported from road to water, for life.

Why wait for the life on the water you want? Let Venture Trailers' quality products, world class service and support help you get there now. So go on and get boating — we build the trailers, you build the memories.

YOUR ROAD TO WATER STARTS WITH VENTURE TRAILERS

Quality, value and service for the journey and the destination.

QUALITY TRAILERS YOU NEED AT PRICES YOU CAN AFFORD

We are firm believers boating is for everyone. As a family-owned business, we want to ensure that you and your family can enjoy life on the water without breaking the bank. With Venture Trailers, you have options for boat trailers. We work to build products our customers trust at prices within reach for every budget — including experienced boaters, novices, and families.

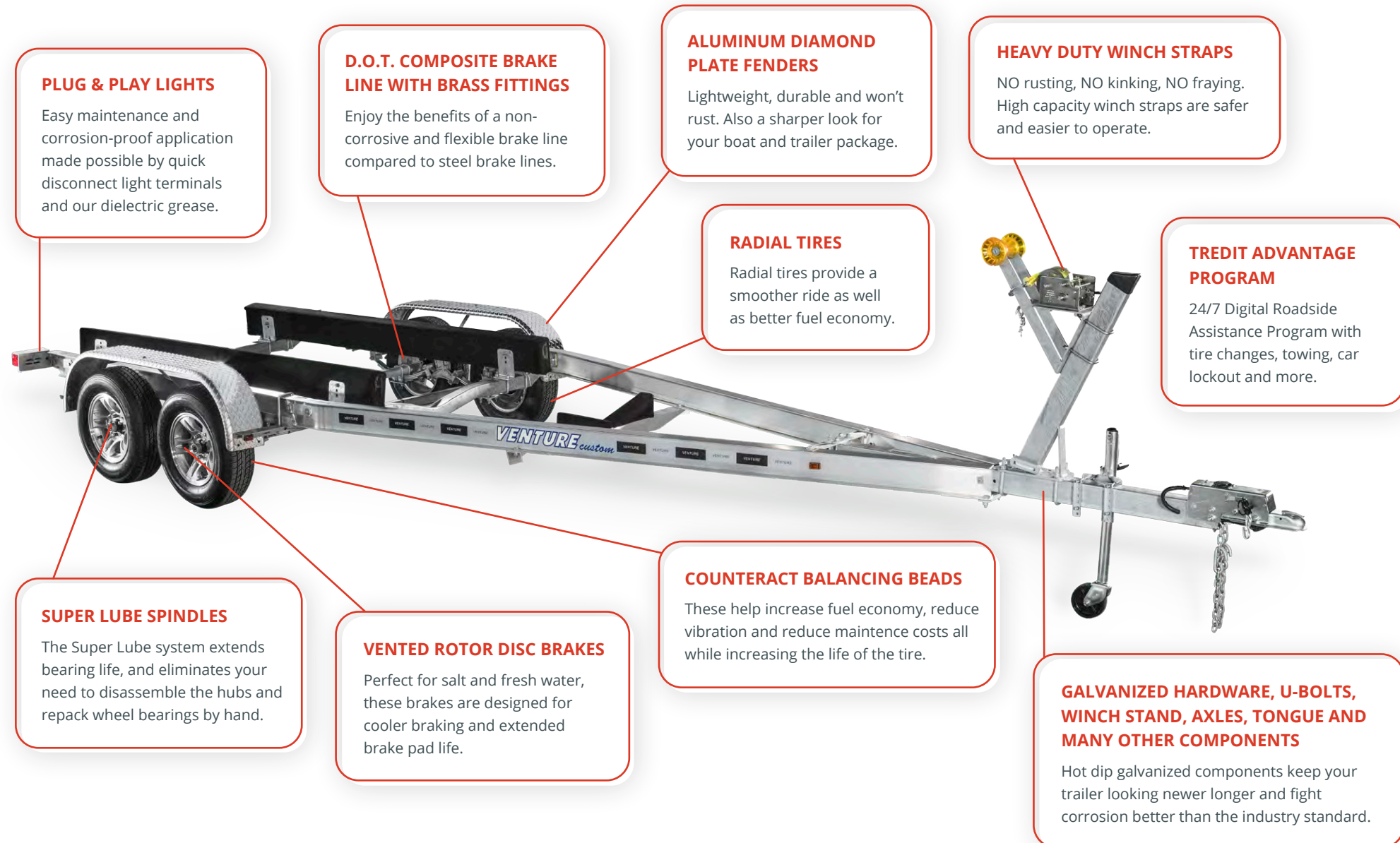
WORLD-CLASS CUSTOMER SERVICE FOR ALL YOUR TRAILER NEEDS

Our customers are family. And we make sure to serve our family with world-class customer service. Our friendly and knowledgeable team members are on the other end of the line when you call. We take pride in listening to your story and getting to know you on a personal level so we can figure out exactly what you need and how to jumpstart your journey to the water.

LEARNING RESOURCES FOR EVERY BOATER AND EXPERIENCE

"We take the world boating" because we believe boating is for everyone. Our comprehensive library of educational resources is available to all Venture Trailers owners, helping to support you from your journey on road to your destination on the water.

STANDARD FEATURES ON VENTURE TRAILERS*



PLUG & PLAY LIGHTS
Easy maintenance and corrosion-proof application made possible by quick disconnect light terminals and our dielectric grease.

D.O.T. COMPOSITE BRAKE LINE WITH BRASS FITTINGS
Enjoy the benefits of a non-corrosive and flexible brake line compared to steel brake lines.

ALUMINUM DIAMOND PLATE FENDERS
Lightweight, durable and won't rust. Also a sharper look for your boat and trailer package.

HEAVY DUTY WINCH STRAPS
NO rusting, NO kinking, NO fraying. High capacity winch straps are safer and easier to operate.

TREDIT ADVANTAGE PROGRAM
24/7 Digital Roadside Assistance Program with tire changes, towing, car lockout and more.

RADIAL TIRES
Radial tires provide a smoother ride as well as better fuel economy.

COUNTERACT BALANCING BEADS
These help increase fuel economy, reduce vibration and reduce maintenance costs all while increasing the life of the tire.

GALVANIZED HARDWARE, U-BOLTS, WINCH STAND, AXLES, TONGUE AND MANY OTHER COMPONENTS
Hot dip galvanized components keep your trailer looking newer longer and fight corrosion better than the industry standard.

SUPER LUBE SPINDLES
The Super Lube system extends bearing life, and eliminates your need to disassemble the hubs and repack wheel bearings by hand.

VENTED ROTOR DISC BRAKES
Perfect for salt and fresh water, these brakes are designed for cooler braking and extended brake pad life.

*Some features are not standard on all models. Please check with your dealer for additional information.

ALUMINUM TRAILERS

Our line of aluminum trailers are a lightweight option that can help maximize towing capacity and increase fuel economy. They resist corrosion the best, making them a good choice if you frequent saltwater or marine environments.

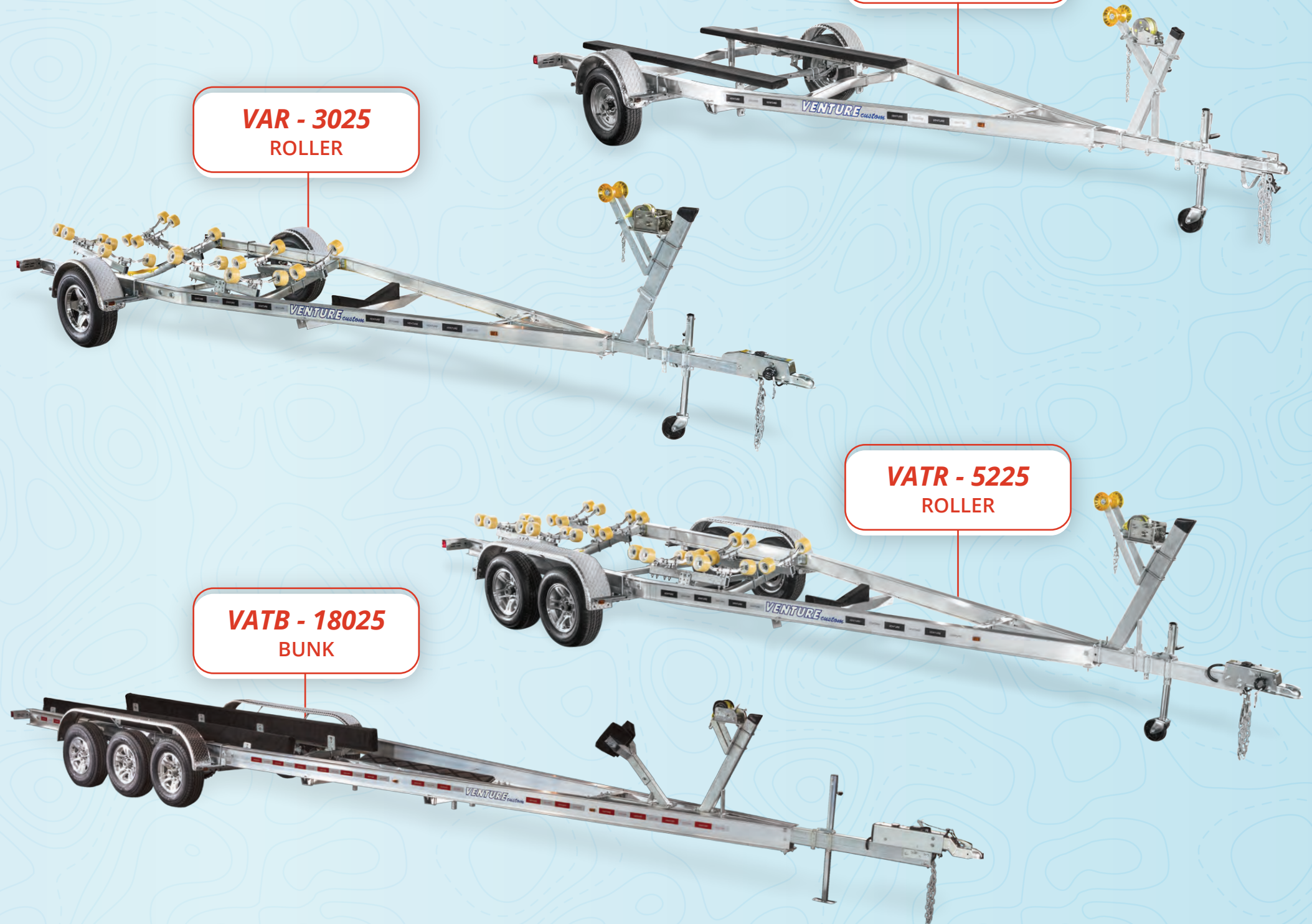
BENEFITS OF ALUMINUM BOAT TRAILERS



- ▶ Lightweight
- ▶ Great corrosion resistance
- ▶ High aesthetic appeal



VATB - 5225
BUNK



VAR - 3025
ROLLER

VAB - 2025
BUNK

VATR - 5225
ROLLER

VATB - 18025
BUNK

ALUMINUM BUNK TRAILERS

SINGLE AXLE BUNK | 1025-3525 LOAD CAPACITY

MODEL	Capacity (lb)	Boat Length	Tongue Jack	# of Axles	Brakes	Tire Size	Overall Width
VAB-1025	1025	12'-14'	Optional	1	NO	4.80 x 12 LRC 4H	60"
VAB-1325	1325	14'-15'	Optional	1	NO	4.80 x 12 LRC 4H	60"
VAB-2025	2025	16'-17'	Optional	1	NO	ST175/80R 13 LRC 5H	93"
VAB-2425	2425	16'-18'	Optional	1	Optional	ST185/80R 13 LRD 5H	89"
VAB-2625	2625	17'-19'	Optional	1	Optional	ST205/75R 14 LRC 5H	89"
VAB-2825	2825	18'-20'	Optional	1	Optional	ST205/75R 14 LRC 5H	100"
VAB-3025	3025	18'-20'	Single Wheel	1	Disc	ST215/75R 14 LRC 5H	100"
VAB-3325	3325	20'-22'	Single Wheel	1	Disc	ST225/75R 15 LRD 6H	100"
VAB-3525	3525	20'-22'	Single Wheel	1	Disc	ST225/75R 15 LRD 6H	100"

TANDEM AXLE BUNK | 3625-8725 LOAD CAPACITY

MODEL	Capacity (lb)	Boat Length	Tongue Jack	# of Axles	Brakes	Tire Size	Overall Width
VATB-3625	3625	18'-20'	Single Wheel	2	Disc-1	ST205/75R 14 LRC 5H	100"
VATB-4225	4225	21'-22'	Single Wheel	2	Disc-1	ST205/75R 14 LRC 5H	100"
VATB-5225	5225	21'-22'	Single Wheel	2	Disc-1	ST205/75R 14 LRC 5H	100"
VATB-5925	5925	22'-24'	2000lb. Foot	2	Disc-1	ST205/75R 14 LRC 5H	100"
VATB-6425	6425	24'-25'	2000lb. Foot	2	Disc-1	ST225/75R 15 LRD 6H	100"
VATB-7225	7225	25'-26'	2000lb. Foot	2	Disc-1	ST225/75R 15 LRD 6H	100"
VATB-8025	8025	25'-26'	2000lb. Foot	2	Disc-1	ST225/75R 15 LRD 6H	100"
VATB-8725	8725	27'-29'	2000lb. Foot	2	Disc-1	ST225/75R 15 LRD 6H	100"

TRIPLE AXLE BUNK | 9625-18025 LOAD CAPACITY

MODEL	Capacity (lb)	Boat Length	Tongue Jack	# of Axles	Brakes	Tire Size	Overall Width
VATB-9625	9625	27'-29'	2000lb. Foot	3	Disc-2	ST225/75R 15 LRD 6H	100"
VATB-10625	10625	27'-29'	2000lb. Foot	3	Disc-2	ST225/75R 15 LRD 6H	100"
VATB-12625	12625	29'-32'	2000lb. Foot	3	Disc-3	ST225/75R 15 LRD 6H	100"
VATB-15025	15025	32'-36'	2000lb. Foot	3	Disc-3	ST235/80R 16 LRE 8H	102"
VATB-18025	18025	32'-36'	2000lb. Foot	3	Disc-3	ST235/80R 16 LRE 8H	102"

ALUMINUM ROLLER TRAILERS

SINGLE AXLE ROLLER | 2425-3525 LOAD CAPACITY

MODEL	Capacity (lb)	Boat Length	Tongue Jack	# of Axles	Brakes	# of Rollers	Tire Size	Overall Width
VAR-2425	2425	16'-18'	Optional	1	Optional	16	ST185/80R 13 LRD 5H	89"
VAR-2625	2625	17'-19'	Optional	1	Optional	20	ST205/75R 14 LRC 5H	89"
VAR-2825	2825	18'-20'	Optional	1	Optional	20	ST205/75R 14 LRC 5H	100"
VAR-3025	3025	18'-20'	Single Wheel	1	Disc	20	ST215/75R 14 LRC 5H	100"
VAR-3325	3325	20'-22'	Single Wheel	1	Disc	20	ST225/75R 15 LRD 6H	100"
VAR-3525	3525	20'-22'	Single Wheel	1	Disc	20	ST225/75R 15 LRD 6H	100"

TANDEM AXLE BUNK | 3625-6425 LOAD CAPACITY

MODEL	Capacity (lb)	Boat Length	Tongue Jack	# of Axles	Brakes	# of Rollers	Tire Size	Overall Width
VATR-3625	3625	18'-20'	Single Wheel	2	Disc-1	20	ST205/75R 14 LRC 5H	100"
VATR-4225	4225	21'-22'	Single Wheel	2	Disc-1	24	ST205/75R 14 LRC 5H	100"
VATR-5225	5225	21'-22'	Single Wheel	2	Disc-1	28	ST205/75R 14 LRC 5H	100"
VATR-6025	6025	23'-24'	2000lb. Foot	2	Disc-1	44	ST205/75R 15 LRC 5H	100"
VATR-6425	6425	24'-25'	2000lb. Foot	2	Disc-1	44	ST225/75R 15 LRD 6H	100"



SKIFF & JON BOAT

GALVANIZED STEEL

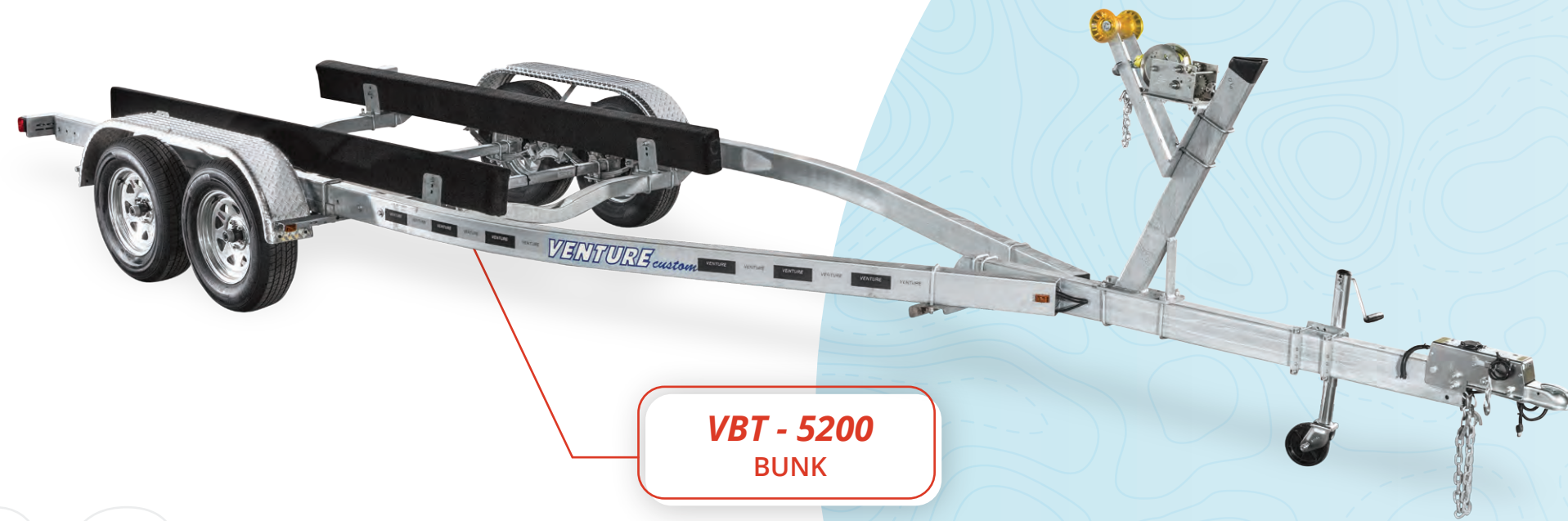
WATERCRAFT

GALVANIZED STEEL TRAILERS

Venture Trailers' line of galvanized boat trailers comes in a range of sizes and configurations. You can stand up to corrosion from any marine environment with a hot dipped galvanized finish, so you can have a trailer that lasts a lifetime.

BENEFITS OF GALVANIZED BOAT TRAILERS

- Heavier than aluminum trailers
- Excellent corrosion resistance, season after season
- Tubular frame design protects lights wiring and brake lines from damage



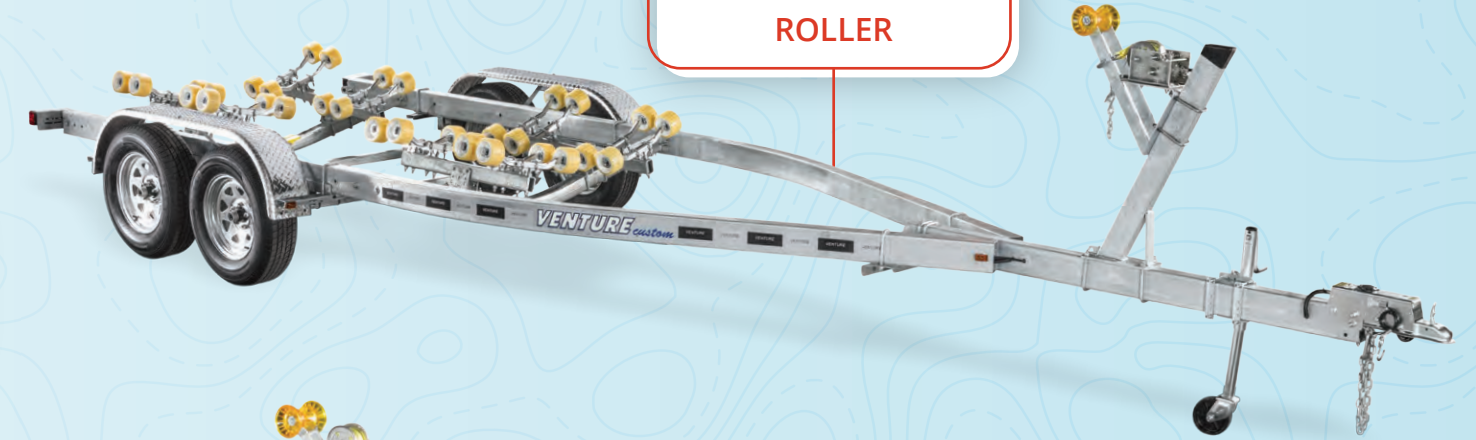
**VBT - 5200
BUNK**



**VBT - 10800
BUNK**



**VR - 2050
ROLLER**
Tongue Jack Optional



**VRT - 5250
ROLLER**



**VB - 2200
BUNK**
Tongue Jack Optional

10

STEEL BUNK TRAILERS

SINGLE AXLE BUNK | 1000-3300 LOAD CAPACITY

MODEL	Capacity (lb)	Boat Length	Tongue Jack	# of Axles	Brakes	Tire Size	Overall Width
VB-1000	1000	12'-14'	Optional	1	NO	4.80 x 12 LRC 4H	60"
VB-1300	1300	14'-15'	Optional	1	NO	4.80 x 12 LRC 4H	60"
VB-1500	1500	14'-15'	Optional	1	NO	5.30 x 12 LRC 5H	78"
VB-1800	1800	15'-16'	Optional	1	NO	5.30 x 12 LRD 5H	78"
VB-2000	2000	16'-17'	Optional	1	Optional	ST175/80R 13 LRC 5H	84"
VB-2200	2200	17'-18'	Optional	1	Optional	ST185/80R 13 LRD 5H	84"
VB-2400	2400	17'-18.5'	Optional	1	Optional	ST205/75R 14 LRC 5H	88"
VB-2600	2600	18'-19'	Optional	1	Optional	ST205/75R 14 LRC 5H	100"
VB-2800S	2800	18'-20'	Optional	1	Optional	ST205/75R 15 LRC 5H	100"
VB-2800	2800	20'-21'	Optional	1	Optional	ST205/75R 15 LRC 5H	100"
VB-3000S	3000	18'-20'	Single Wheel	1	Disc	ST215/75R 14 LRC 5H	100"
VB-3100	3100	20'-21'	Single Wheel	1	Disc	ST215/75R 14 LRC 5H	100"
VB-3300	3300	20'-21'	Single Wheel	1	Disc	ST225/75R 15 LRD 6H	100"

TANDEM AXLE BUNK | 3600-7900 LOAD CAPACITY

MODEL	Capacity (lb)	Boat Length	Tongue Jack	# of Axles	Brakes	Tire Size	Overall Width
VBT-3600S	3600	18'-20'	Single Wheel	2	Disc-1	ST205/75R 14 LRC 5H	100"
VBT-3700	3700	21'-23'	Single Wheel	2	Disc-1	ST205/75R 14 LRC 5H	100"
VBT-4200	4200	21'-23'	Single Wheel	2	Disc-1	ST205/75R 14 LRC 5H	100"
VBT-4700	4700	21'-23'	Single Wheel	2	Disc-1	ST205/75R 14 LRC 5H	100"
VBT-5200	5200	21'-23'	Single Wheel	2	Disc-1	ST205/75R 15 LRC 5H	100"
VBT-5600	5600	21'-23'	Single Wheel	2	Disc-1	ST205/75R 15 LRC 5H	100"
VBT-5900	5900	24'-25'	2000lb. Foot	2	Disc-1	ST215/75R 14 LRC 5H	100"
VBT-6400	6400	25'-26'	2000lb. Foot	2	Disc-1	ST225/75R 15 LRD 6H	100"
VBT-7400	7400	25'-27'	2000lb. Foot	2	Disc-1	ST225/75R 15 LRD 6H	100"
VBT-7900	7900	25'-27'	2000lb. Foot	2	Disc-1	ST225/75R 15 LRD 6H	100"

TRIPLE AXLE BUNK | 8600-10800 LOAD CAPACITY

MODEL	Capacity (lb)	Boat Length	Tongue Jack	# of Axles	Brakes	Tire Size	Overall Width
VBT-8600	8600	27'-28'	2000lb. Foot	3	Disc-2	ST205/75R 14 LRC 5H	100"
VBT-9200	9200	28'-30'	2000lb. Foot	3	Disc-2	ST225/75R 15 LRD 6H	100"
VBT-10800	10800	29'-31'	2000lb. Foot	3	Disc-2	ST225/75R 15 LRD 6H	100"

SINGLE AXLE ROLLER | 1550-3350 LOAD CAPACITY

MODEL	Capacity (lb)	Boat Length	Tongue Jack	# of Axles	Brakes	# of Rollers	Tire Size	Overall Width
VR-1550	1550	14'-15'	Optional	1	No	12	5.30 x 12 LRC 5H	78"
VR-1850	1850	15'-16'	Optional	1	No	12	5.30 x 12 LRD 5H	78"
VR-2050	2050	16'-17'	Optional	1	No	12	ST175/80D 13 LRC 5H	84"
VR-2250	2250	17'-18'	Optional	1	Optional	16	ST185/80R 13 LRD 5H	84"
VR-2450	2450	17'-18.5'	Optional	1	Optional	16	ST205/75R 14 LRC 5H	88"
VR-2650	2650	18'-19'	Optional	1	Optional	20	ST205/75R 14 LRC 5H	100"
VR-2850S	2850	18'-20'	Optional	1	Optional	20	ST205/75R 15 LRC 5H	100"
VR-2850	2850	20'-21'	Optional	1	Optional	20	ST205/75R 15 LRC 5H	100"
VR-3050S	3050	18'-20'	Single Wheel	1	Disc	20	ST215/75R 14 LRC 5H	100"
VR-3150	3150	20'-21'	Single Wheel	1	Disc	20	ST215/75R 14 LRC 5H	100"
VR-3350	3350	20'-21'	Single Wheel	1	Disc	20	ST225/75R 15 LRD 6H	100"

TANDEM AXLE ROLLER | 3650-7950 LOAD CAPACITY

MODEL	Capacity (lb)	Boat Length	Tongue Jack	# of Axles	Brakes	# of Rollers	Tire Size	Overall Width
VRT-3650S	3650	18'-20'	Single Wheel	2	Disc-1	20	ST205/75R 14 LRC 5H	100"
VRT-3750	3750	21'-23'	Single Wheel	2	Disc-1	20	ST205/75R 14 LRC 5H	100"
VRT-4250	4250	21'-23'	Single Wheel	2	Disc-1	24	ST205/75R 14 LRC 5H	100"
VRT-4750	4750	21'-23'	Single Wheel	2	Disc-1	28	ST205/75R 14 LRC 5H	100"
VRT-5250	5250	21'-23'	Single Wheel	2	Disc-1	32	ST205/75R 15 LRC 5H	100"
VRT-5650	5650	21'-23'	Single Wheel	2	Disc-1	32	ST205/75R 15 LRC 5H	100"
VRT-5950	5950	24'-25'	2000lb. Foot	2	Disc-1	44	ST215/75R 15 LRD 5H	100"
VRT-6450	6450	25'-26'	2000lb. Foot	2	Disc-1	52	ST225/75R 15 LRD 6H	100"
VRT-7450	7450	25'-27'	2000lb. Foot	2	Disc-1	60	ST225/75R 15 LRD 6H	100"
VRT-7950	7950	25'-27'	2000lb. Foot	2	Disc-1	64	ST225/75R 15 LRD 6H	100"

TRIPLE AXLE BUNK | 8650-10850 LOAD CAPACITY

MODEL	Capacity (lb)	Boat Length	Tongue Jack	# of Axles	Brakes	# of Rollers	Tire Size	Overall Width
VRT-8650	8650	27'-28'	2000lb. Foot	3	Disc-2	64	ST205/75R 14 LRC 5H	100"
VRT-9250	9250	28'-30'	2000lb. Foot	3	Disc-2	64	ST225/75R 15 LRD 6H	100"
VRT-10850	10850	29'-31'	2000lb. Foot	3	Disc-2	64	ST225/75R 15 LRD 6H	100"

STEEL ROLLER TRAILERS

SKIFF & JON BOAT

PONTON

WATERCRAFT

WATERCRAFT TRAILERS

Our Personal Watercraft Trailers make loading and launching as easy as possible. Designed to fit a wide range of PWC's on the market today, Venture PWC Trailers are here to support your recreational needs. Explore our single or tandem PWC trailers below, available in aluminum or hot dipped galvanized finishes.

BENEFITS OF PWC BOAT TRAILERS



- ▶ Single or tandem trailer options
- ▶ Easy load and launch
- ▶ Impact-resistant plastic fenders



**VAW-1200
BUNK**



**VW-2000
BUNK**



**VADW-2000
BUNK**



ALUMINUM TRAILERS

ALUMINUM SINGLE & DOUBLE AXLE PWC | 1200-2600 LOAD CAPACITY

MODEL	Capacity (lb)	Seating	Tongue Jack	# of Axles	Brakes	Tire Size	Overall Width
VAW-1200	1200	2/3 Seater	Optional	1	NO	4.80 x 12LRC 4H	60"
VADW-2000	2000	Double	Optional	1	Optional	5.30 x 12LRD 5H	102"
VADW-2600	2600	Double	Optional	1	Optional	20.5 x 8.0 x 10LRF 5H	102"

STEEL TRAILERS

GALVANIZED SINGLE & DOUBLE AXLE PWC | 1200-2000 LOAD CAPACITY

MODEL	Capacity (lb)	Seating	Tongue Jack	# of Axles	Brakes	Tire Size	Overall Width
VW-1200	1200	2/3 Seater	Optional	1	NO	4.80 x 12LRC 4H	60"
VW-2000	2000	Double	Optional	1	Optional	20.5 x 8.0 x 10LRD 5H	102"

SKIFF & JON BOAT TRAILERS

Our Skiff and Jon Boat Trailers are the perfect option for smaller boats. They securely haul and launch a wide range of brands, easily adapting to your boating needs. Choose from single or tandem axle made from hot dipped galvanized or aluminum.

BENEFITS OF SKIFF & JON BOAT TRAILERS

- ▶ Fits a wide range of boat brands
- ▶ Great for small, lightweight boats
- ▶ Single or tandem axle options



**VAB - 1325
BUNK**



**VASK - 1800
BUNK**



**VASK - 2800
BUNK**

JON BOAT TRAILERS

ALUMINUM SINGLE AXLE JON BOATS | 1025-1325 LOAD CAPACITY

MODEL	Capacity (lb)	Boat Length	Tongue Jack	# of Axles	Brakes	Tire Size	Overall Width
VAB-1025	1025	12'-14'	Optional	1	NO	4.80 x 12 LRC 4H	60"
VAB-1325	1325	14'-15'	Optional	1	NO	4.80 x 12 LRC 4H	60"

GALVANIZED SINGLE AXLE JON BOATS | 1000-1800 LOAD CAPACITY

MODEL	Capacity (lb)	Boat Length	Tongue Jack	# of Axles	Brakes	Tire Size	Overall Width
VB-1000	1000	12'-14'	Optional	1	NO	4.80 x 12 LRC 4H	60"
VB-1300	1300	14'-15'	Optional	1	NO	4.80 x 12 LRC 4H	60"
VB-1500	1500	14'-15'	Optional	1	NO	5.30 x 12 LRC 5H	78"
VB-1800	1800	15'-16'	Optional	1	NO	5.30 x 12 LRD 5H	78"

SKIFF TRAILERS

ALUMINUM AXLE SKIFFS | 1800-4200 LOAD CAPACITY

MODEL	Capacity (lb)	Boat Length	Tongue Jack	# of Axles	Brakes	Tire Size	Overall Width
VASK-1800	1800	15'-17'	Optional	1	NO	5.30 x 12 LRD 5H	85"
VASK-2100	2100	15'-17'	Optional	1	NO	ST175/80R 13 LRC 5H	89"
VASK-2300	2300	16'-18'	Optional	1	Optional	ST185/80R 13 LRD 5H	89"
VASK-2500	2500	17'-19'	Optional	1	Optional	ST185/80R 13 LRD 5H	100"
VASK-2800	2800	18'-21'	Optional	1	Optional	ST205/75R 14 LRC 5H	100"
VASK-3200	3200	19'-21'	Single Wheel	1	Disc	ST225/75R 15 LRD 5H	100"
VASK-4200S	4200	21'-22'	Single Wheel	2	Disc-1	ST205/75R 14 LRC 5H	100"
VASK-4200	4200	22'-23'	Single Wheel	2	Disc-1	ST205/75R 14 LRC 5H	100"

PONTOON TRAILERS

Venture Pontoon Trailers support a range of pontoon boat sizes. Select single or tandem axle, depending on your transport needs, boat size and load carrying capacity. Each trailer is made from hot dipped galvanized steel to support your boat from travel to launch.

BENEFITS OF PONTOON TRAILERS



- ▶ Ladder with safety handrail
- ▶ Poly bunk sleeve
- ▶ Inside Load Guides
- ▶ Hot dip galvanizing provides excellent corrosion resistance, season after season
- ▶ Tubular frame design protects light wiring and brake lines from damage

VP-24-25

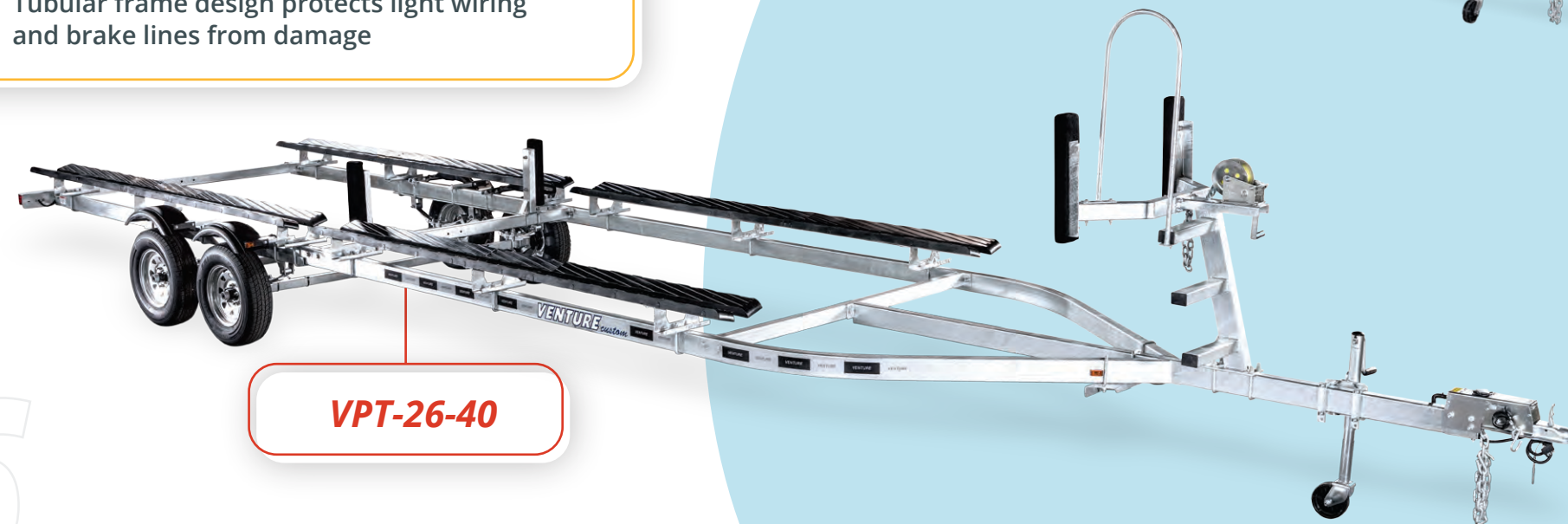
Tongue Jack Optional



VPT-24-30



VPT-26-40



STEEL TRAILERS

GALVANIZED SINGLE AXLE PONTOONS | 2000-2500 LOAD CAPACITY

MODEL	Capacity (lb)	Boat Length	Tongue Jack	# of Axles	Brakes	Tire Size	Overall Width
VP-18-20	2000	16'-17'	Optional	1	Optional	ST185 80R 13LRC	98"
VP-20-20	2000	18'-20'	Optional	1	Optional	ST185 80R 13LRC	98"
VP-20-25	2500	18'-20'	Optional	1	Optional	ST185 80R 13LRD	98"
VP-22-25	2500	20'-22'	Optional	1	Optional	ST185 80R 13LRD	98"
VP-24-25	2500	22'-24'	Optional	1	Optional	ST185 80R 13LRD	98"

GALVANIZED TANDEM AXLE PONTOONS | 3000-5000 LOAD CAPACITY

MODEL	Capacity (lb)	Boat Length	Tongue Jack	# of Axles	Brakes	Tire Size	Overall Width
VPT-24-30	3000	22'-24'	Single Wheel	2	Disc-1	5.30 x 12 LRC 5H	98"
VPT-22-40	4000	20'-22'	Single Wheel	2	Disc-1	ST175 80R 13LRC	98"
VPT-24-40	4000	22'-24'	Single Wheel	2	Disc-1	ST175 80R 13LRC	98"
VPT-26-40	4000	24'-26'	Single Wheel	2	Disc-1	ST175 80R 13LRC	98"
VPT-26-50	5000	24'-26'	Single Wheel	2	Disc-1	ST185 80R 13LRD	98"

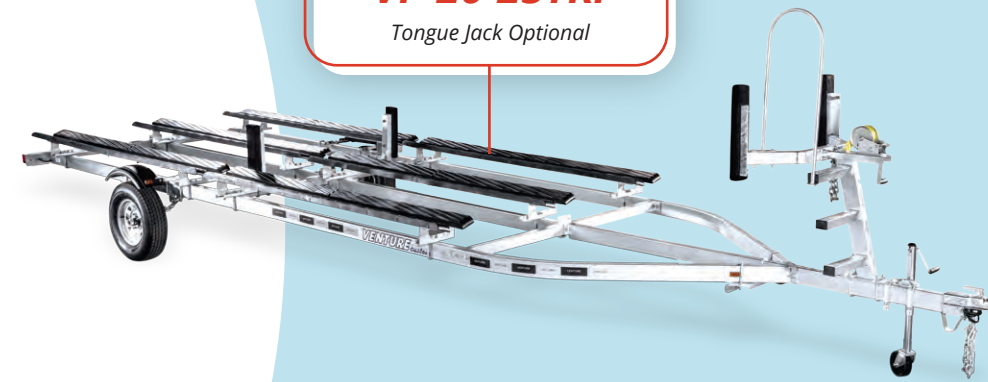
TRITOON TRAILERS

Our tritoon boat trailers are made from hot dipped galvanized steel to provide the strongest support for your tritoon boat. You can count on our durable design and high quality materials to haul your boat. Choose from our line of tritoon trailers that will fit your length and weight needs.

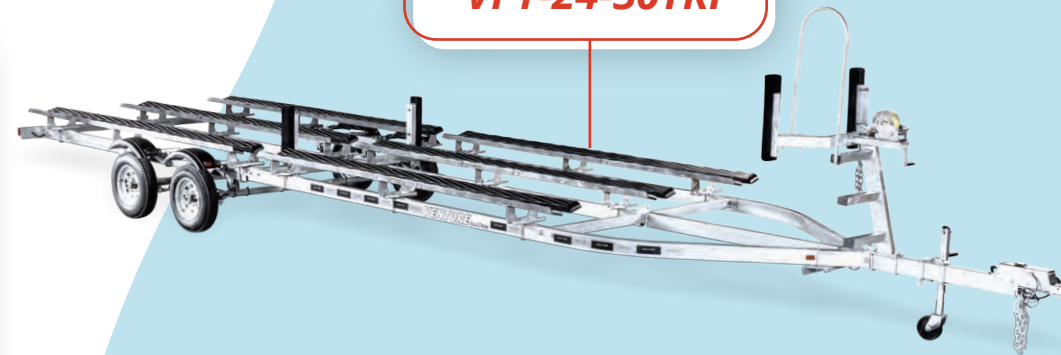
BENEFITS OF PONTOON TRAILERS



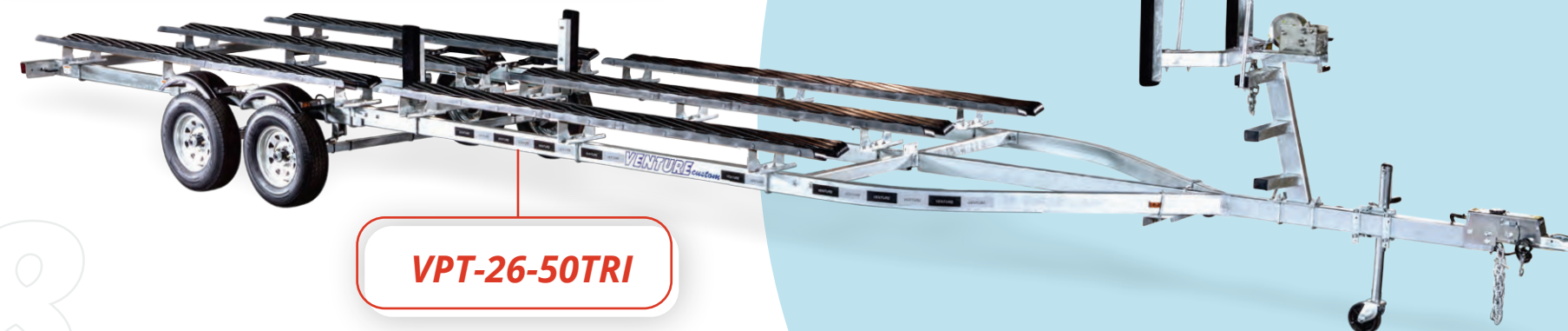
- ▶ Ladder with safety handrail
- ▶ Poly bunk sleeve
- ▶ Inside Load Guides
- ▶ Hot dip galvanizing provides excellent corrosion resistance, season after season
- ▶ Tubular frame design protects light wiring and brake lines from damage



VP-20-25TRI
Tongue Jack Optional



VPT-24-30TRI



VPT-26-50TRI



STEEL TRAILERS

GALVANIZED SINGLE AXLE TRITOOONS | 2000-2500 LOAD CAPACITY

MODEL	Capacity (lb)	Boat Length	Tongue Jack	# of Axles	Brakes	Tire Size	Overall Width
VP-18-20TRI	2000	16'-17'	Optional	1	Optional	ST185 80R 13LRC	98"
VP-20-20TRI	2000	18'-20'	Optional	1	Optional	ST185 80R 13LRC	98"
VP-20-25TRI	2500	18'-20'	Optional	1	Optional	ST185 80R 13LRD	98"
VP-22-25TRI	2500	20'-22'	Optional	1	Optional	ST185 80R 13LRD	98"
VP-24-25TRI	2500	22'-24'	Optional	1	Optional	ST185 80R 13LRD	98"

GALVANIZED TANDEM AXLE TRITOOONS | 3000-5000 LOAD CAPACITY

MODEL	Capacity (lb)	Boat Length	Tongue Jack	# of Axles	Brakes	Tire Size	Overall Width
VPT-24-30TRI	3000	22'-24'	Single Wheel	2	Disc-1	5.30 x 12 LRC 5H	98"
VPT-22-40TRI	4000	20'-22'	Single Wheel	2	Disc-1	ST175 80R 13LRC	98"
VPT-24-40TRI	4000	22'-24'	Single Wheel	2	Disc-1	ST175 80R 13LRC	98"
VPT-26-40TRI	4000	24'-26'	Single Wheel	2	Disc-1	ST175 80R 13LRC	98"
VPT-26-50TRI	5000	24'-26'	Single Wheel	2	Disc-1	ST185 80R 13LRD	98"

TRAILER ACCESSORIES

Give your trailer the upgrade it deserves.

Our boat trailer accessories are designed to improve your trailer's capabilities and dependability, making your boating experience even more enjoyable.



PVC LOAD GUIDES

Load guides are an optional accessory that make it easier to center the boat on the trailer during loading. They are particularly helpful if you do a lot of launching or loading in windy conditions or river currents.



LED LIGHTS

LED's offer a significant safety performance benefit when used in automotive signaling. When power is applied, they rise to full intensity about 200 milliseconds faster than incandescent bulbs allowing drivers following behind additional time to react.



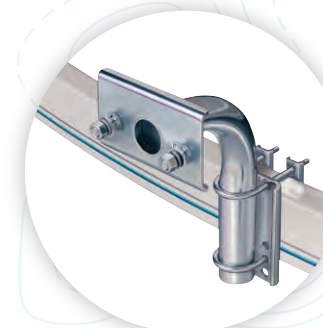
ALUMINUM WHEELS

Aluminum wheels give your trailer a sporty look and are available as an upgrade on all models.



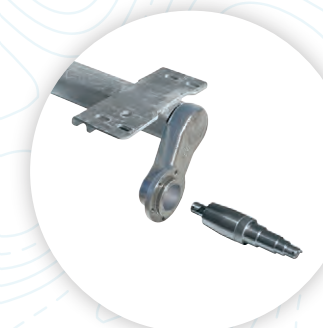
SPARE TIRES

Spare tires are a necessity for all trailer owners and come in a variety of tire and wheel assemblies.



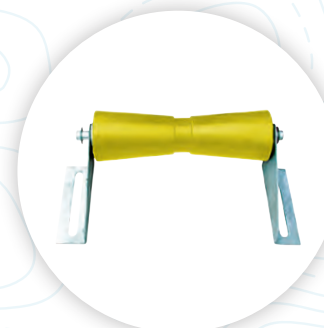
SPARE TIRE BRACKETS

We offer three different bracket sizes that fit from a 2x3 to 3x5 frame size.



TORSION AXLES

For those looking for an alternative suspension option, torsion axles require less maintenance.



KEEL ROLLERS

Suitable to brace the added weight of heavier boats.



ELECTRIC OVER HYDRAULIC BRAKES

If you're looking for a hydraulic brake alternative, this is a great upgrade option.



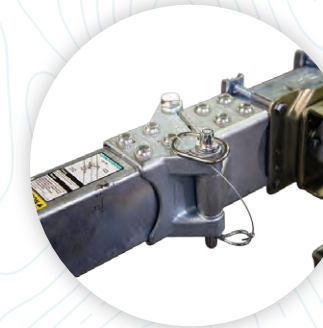
G5 STAINLESS STEEL BRAKES

For those looking for a disc brake upgrade they can get stainless steel brakes.



OPTIONAL TONGUE LENGTHS

We have a variety of tongue lengths available to get a better fit for your boat and trailer.



SWING TONGUE

A swing tongue allows the front of the trailer (the tongue) to swing backwards, which decreases the overall length of the trailer. This allows it to fit in small spaces such as a garage.



STAINLESS STEEL HARDWARE

For those looking for a premium feature, upgrade to stainless steel hardware as it provides longer salt spray testing, making it superior in corrosion resistance.



POLY BUNK COVERS

This polyurethane material covers the bunks and allows the boat to easily slide on and off the trailer.



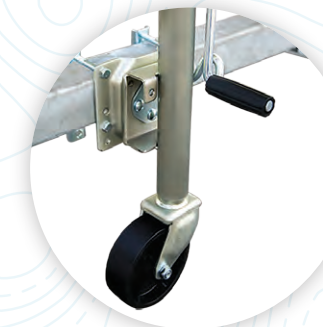
TARGET BUNKS

Additional set of bunks located in the front of the trailer to assist with loading and launching and to protect the keel of your boat.



WINDLASS BOW STOP

Useful as a forward bow stop for boats with a bow pulpit or windlass bow anchor that could interfere with the normal operation of the winch stand.



TONGUE JACKS

Attaches to the trailer tongue, making it much easier to move the trailer around when it is not attached to the tow vehicle.



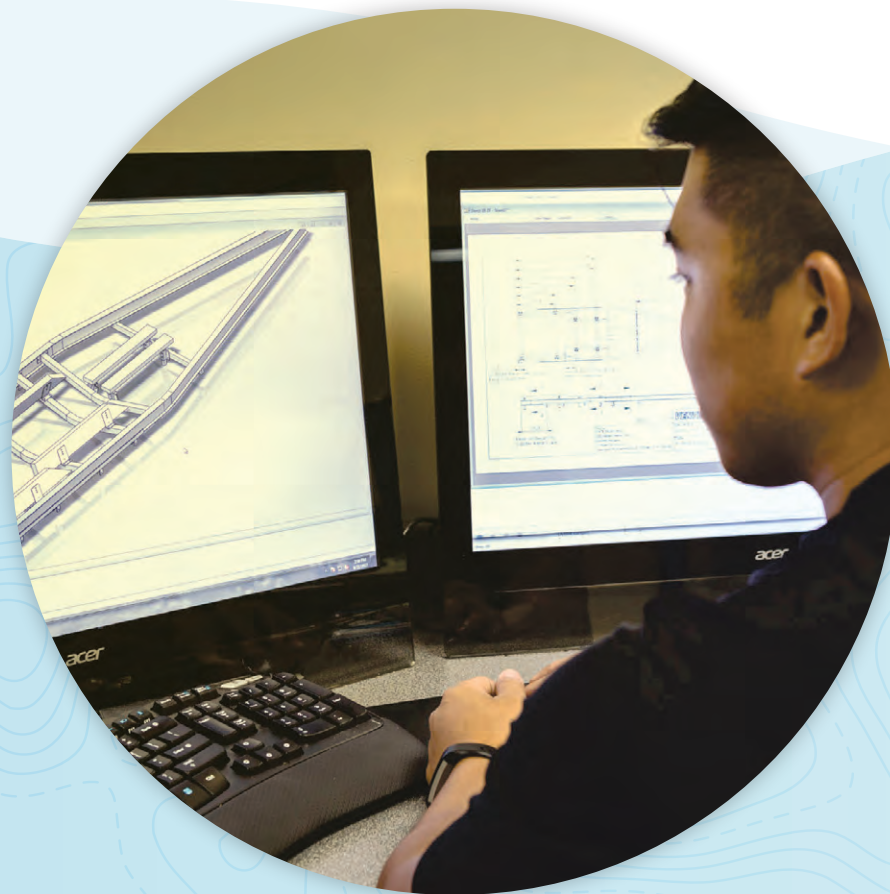
DUAL WHEEL TONGUE JACK

For heavier loads and additional manageability, the dual wheel tongue jack will make unhitched maneuverability easier.

SUPPORTING YOU AND YOUR BOAT SINCE 1988.

The Vandgriff family started Venture Trailers in 1988 driven by our desire to show customers the excitement and pride that comes with boating. Headquartered in Maryland, our 114,000-square foot production facility ensures the most efficient and cost-effective process for our wide range of power boat and personal watercraft trailers. Plus, our 20-truck fleet allows us to ship your trailer to dealers across the Eastern seaboard in just a few weeks.

For over 30 years, Venture Trailers has been in the business of enhancing the boating industry for skilled boaters, novices, families, and dealers.



LIMITED WARRANTY

Subject to the terms and conditions set forth below, Venture Trailers Inc., a Delaware corporation ("Venture"), warrants each new Venture Trailer (the "Trailer") to be free from defects in material and workmanship for a period of twenty-four (24) months from the date of original purchase by the original purchaser; except, however, bearings, seals, and races shall be covered only for one hundred twenty (120) days from the date of original purchase of the Trailer by the original purchaser. These warranty periods are not extended if Venture makes any repair or replacement. Venture reserves the right to change the availability of this limited warranty in its sole discretion, but any changes will not be retroactive. Venture may change Trailer models or specifications without prior notice.

WHAT WILL VENTURE DO UNDER THIS LIMITED WARRANTY?

Venture will repair or replace, at Venture's sole option, without charge, any Trailer parts that are determined by Venture to be defective in workmanship or materials.

WHAT IS NOT COVERED BY THIS LIMITED WARRANTY?

This limited warranty shall **not** apply to:

1. any Trailer used as part of a rental fleet or for commercial purposes;
2. any Trailer that has been modified or altered in any way (as determined by Venture in its sole discretion);
3. any defect caused by damage from accident, acts of God, transportation, storage, improper use, abuse, improper or unauthorized repair, failure to provide reasonable and necessary maintenance, overloading the Trailer beyond stated capacities, or the use of improperly installed weight distribution hitches;



4. wear items (including, but not limited to, tires, bearings, seals and races (except as otherwise set forth above), brake friction surfaces, and carpet);
5. normal wear and tear; or
6. the Trailer's galvanizing, finish, or alignment, rust, or other consequence common to the use of boat ramps, paved and unpaved roadways, pathways, and storage areas, or corrosive conditions;
7. winches, lights, couplers, brakes, tongues jacks, springs, axles and tire or wheels*; and
8. defects caused by improper configuration caused by any dealer or distributor of the Trailer.

***these items are separately warranted by their respective manufacturer.**

IS THIS LIMITED WARRANTY TRANSFERABLE?

No. This limited warranty is extended to the original purchaser only, and it is not transferable even if the Trailer is later sold or otherwise conveyed to someone else.

HOW IS WARRANTY ATTENTION OBTAINED?

Original purchaser of the Trailer, at his or her own expense, must take the Trailer to any Venture authorized dealer or distributor along with proof of purchase of the Trailer (e.g., sales receipt). If, however, the Trailer has been registered with Venture in the original purchaser's name and the authorized dealer or distributor is able to confirm such registration, proof of purchase is not necessary. The original purchaser is solely responsible for the return of the Trailer following the warranty work.

HOW LONG WILL VENTURE TAKE TO PERFORM ITS WARRANTY OBLIGATIONS?

Venture will make commercially reasonable efforts to perform its warranty obligations within a reasonable time of arrival of the Trailer at Venture's authorized dealer or distributor.

▶ Venture Trailers Contact Information

Venture Trailers, Inc.
5301 North Point Boulevard
Baltimore, Maryland 21219
(410) 388-1000

THE LIMITED WARRANTY SET FORTH ABOVE IS THE SOLE AND EXCLUSIVE WARRANTY OF VENTURE WITH RESPECT TO THE TRAILER, BEARINGS, RACES, AND SEALS. VENTURE LIMITS THE DURATION AND REMEDIES OF ALL IMPLIED WARRANTIES, INCLUDING, BUT NOT LIMITED TO, THE IMPLIED WARRANTY OF MERCHANTABILITY AND THE IMPLIED WARRANTY OF FITNESS FOR A PARTICULAR PURPOSE, TO THE DURATION OF THIS LIMITED WARRANTY. SOME STATES DO NOT ALLOW THE LIMITATION ON HOW LONG AN IMPLIED WARRANTY LASTS, SO THE FOREGOING LIMITATION MAY NOT APPLY. ONLY THE ORIGINAL PURCHASER OF A TRAILER SHALL BE ELIGIBLE FOR ANY REMEDY FOR BREACH OF THIS LIMITED WARRANTY. IF THIS LIMITED WARRANTY IS BREACHED BY VENTURE, THE SOLE REMEDY SHALL BE LIMITED TO THE REPAIR (OR RE-REPAIR) OR REPLACEMENT (OR RE-REPLACEMENT) OF THE DEFECTIVE ITEM, TO THE MAXIMUM EXTENT PERMITTED BY LAW, NEITHER VENTURE NOR ANY OF ITS AFFILIATES, EMPLOYEES, OR AGENTS WILL BE LIABLE FOR ANY INCIDENTAL, INDIRECT, PUNITIVE, SPECIAL OR CONSEQUENTIAL DAMAGES, INCLUDING, BUT NOT LIMITED TO, LOST PROFITS OR REVENUES, LOSS OF TIME, TOWING CHARGES, TRAVEL EXPENSES, LODGING, TELEPHONE CHARGES, GAS EXPENSE, MILEAGE, DAMAGE TO PERSONAL PROPERTY, LOSS WAGES, LOSS OF USE OF THE TRAILER OR ANY MARINE EQUIPMENT, DAMAGE TO MARINE EQUIPMENT, OR COSTS OF SUBSTITUTE MARINE EQUIPMENT. SOME STATES DO NOT ALLOW THE LIMITATION OF INCIDENTAL OR CONSEQUENTIAL DAMAGES, SO THE ABOVE LIMITATION OR EXCLUSION MAY NOT APPLY.

THIS WARRANTY GIVES YOU SPECIFIC LEGAL RIGHTS, AND YOU MAY ALSO HAVE OTHER RIGHTS WHICH VARY FROM STATE TO STATE.

NOTWITHSTANDING ANY CONTRARY PROVISION OF THIS LIMITED WARRANTY, THE USE OF A TRAILER IN A RENTAL FLEET OR FOR COMMERCIAL PURPOSES VOIDS THIS LIMITED WARRANTY, IN WHICH CASE VENTURE DISCLAIMS ALL EXPRESS AND IMPLIED WARRANTIES, INCLUDING, BUT NOT LIMITED TO, THE IMPLIED WARRANTY OF MERCHANTABILITY AND THE IMPLIED WARRANTY OF FITNESS FOR A PARTICULAR PURPOSE.



5301 North Point Blvd, Baltimore, MD 21219
venturetrailers.com
410.388.1000

THE BEST BOATING EXPERIENCE FROM ROAD TO WATER

YOUR AUTHORIZED DEALER

