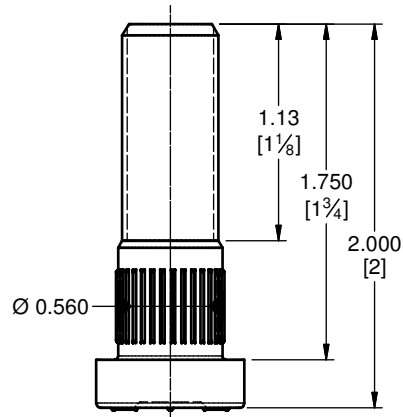
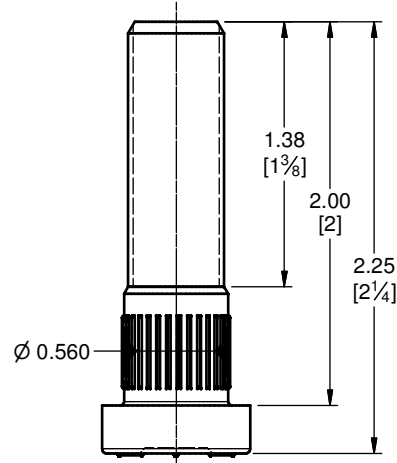


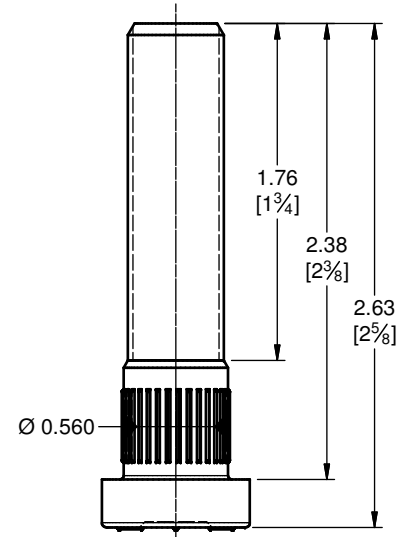
CURRENT TDE STUD STYLE, 4 LENGTHS
(INITIAL INTRODUCTION 2009)



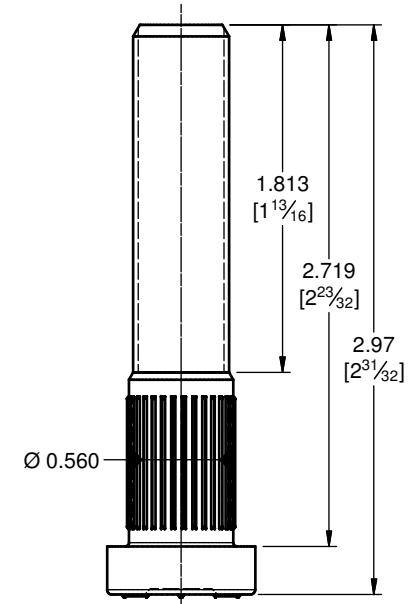
TDE 11131



TDE 11132

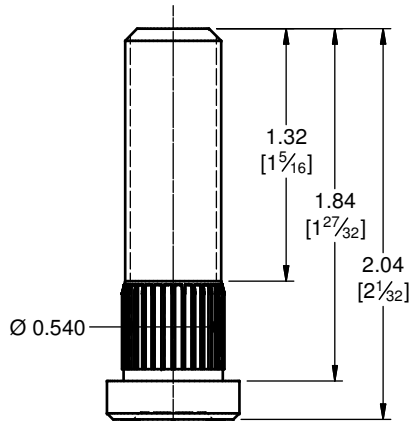


TDE 11134

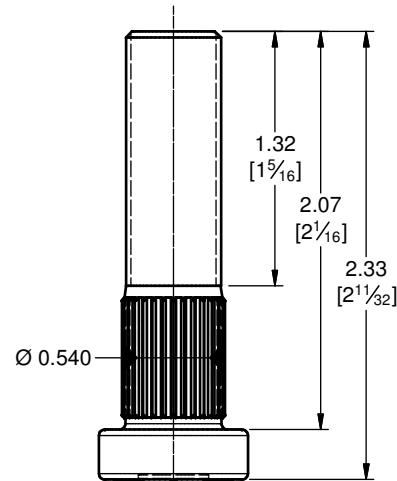


TDE 11137

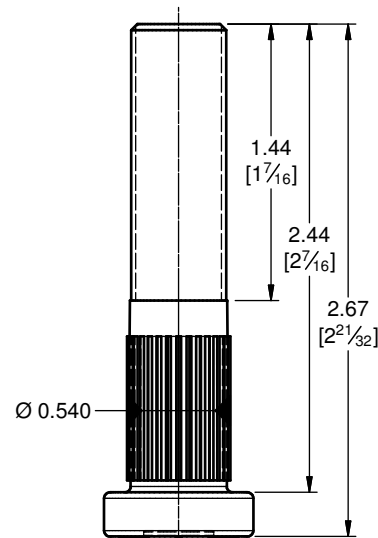
EARLY TDE STUD STYLE, 3 LENGTHS




TDE 11118



TDE 11123



TDE 11119

REVISION HISTORY			
REV	DATE	BY	DETAIL
1	9/19/12	KFV	CURRENT STUD KNURLING O.D. .560 (.540)
CONFIDENTIALITY NOTICE: THIS DRAWING AND ALL INFORMATION CONTAINED WITHIN IT ARE THE PROPERTY OF TIE DOWN ENGINEERING, ATLANTA, GA 30336. ALL RIGHTS ARE RESERVED.			
Date:	09/18/12	Unspecified Tolerances:	 Tie Down Engineering 5901 Wheaton Drive Atlanta Georgia 0336
Design:		Decimal ± 0.1	
Drawn:	KFV	Decimal ± .06	
Approved:		Decimal ± .010 Angles ± 1.0° Holes ± .008	
Part Name:		TDE STUD IDENTIFICATION CHART	
Material:		REFERENCE FOR REPLACING STUDS	
Part No.:		TDE Stud Chart	Sht.: 1 of 1 Rev.: 1